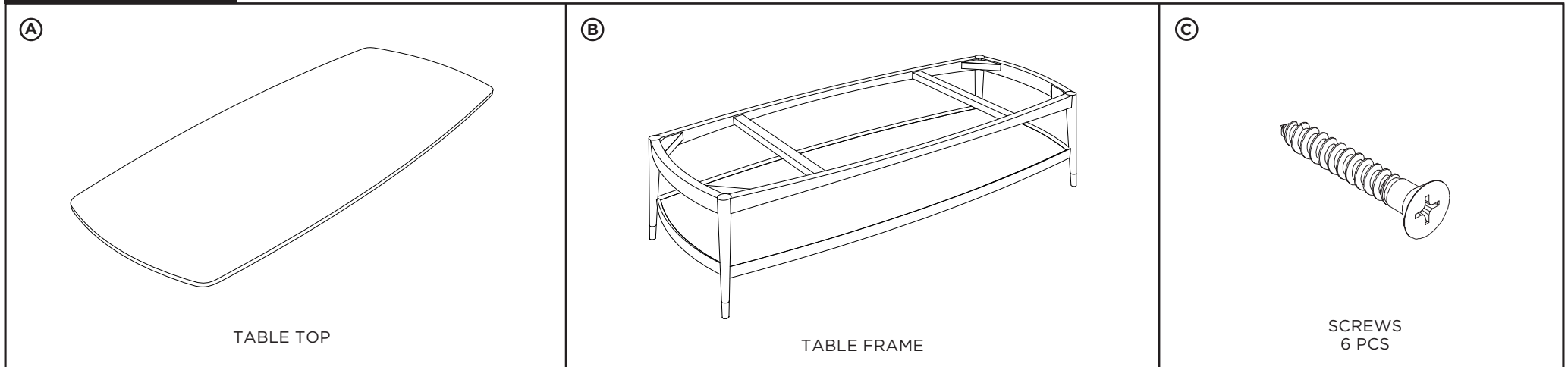


# ASSEMBLY INSTRUCTIONS FOR SURFBOARD COFFEE TABLE <SRF-310>

## WHAT'S INCLUDED



- 1 Place the Table Top (A) upside down on a soft, flat surface such as a moving blanket.
- 2 Lower the Table Frame (B) onto the Table Top (A). Using a screw driver, fasten the screws provided (C) through the top's mounting blocks to the frame as shown.
- 3 Carefully turn the table right side up. Assembly is now complete.

