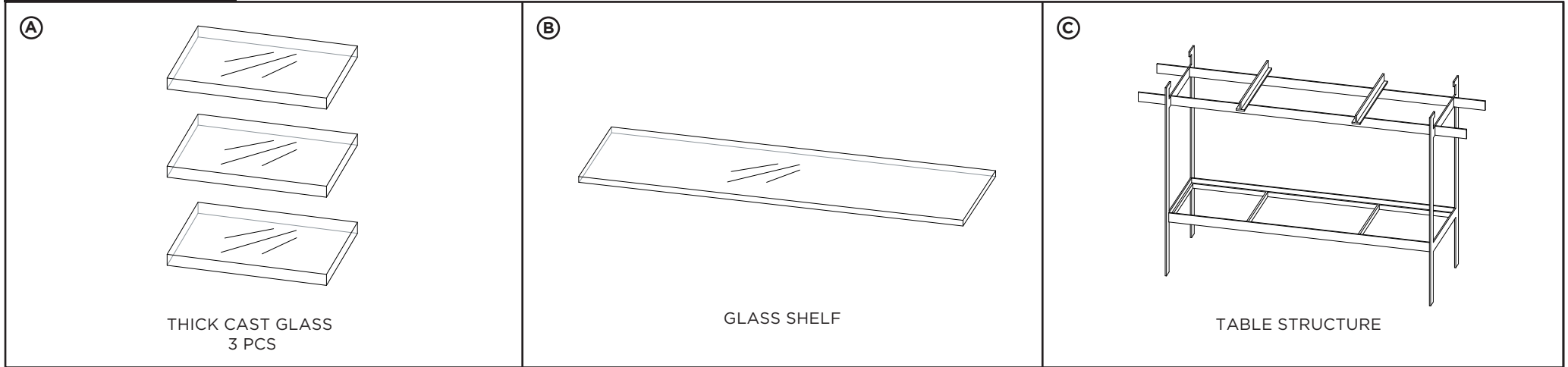


ASSEMBLY INSTRUCTIONS FOR ROMEO CONSOLE <REO-400>

WHAT'S INCLUDED



1 Carefully slide the two of the thick cast glass plates **(A)** into either side at the top of the console table **(C)**.

2 Gently set the remaining cast glass plate **(A)** into the center top of the console table **(C)**.

3 Place the glass shelf **(B)** into the lower shelf of the console table **(C)**. Assembly is now complete. Clean with a soft, dry cloth only. Do not use chemical or abrasive cleaning products.

