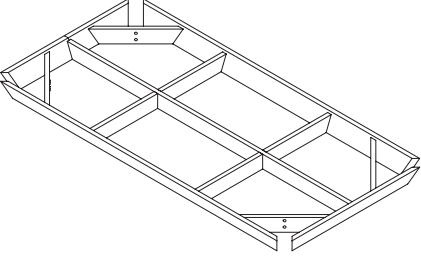
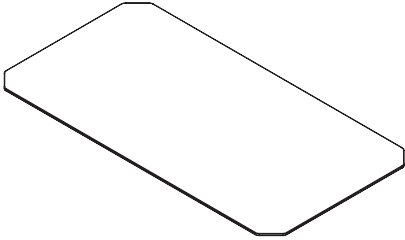
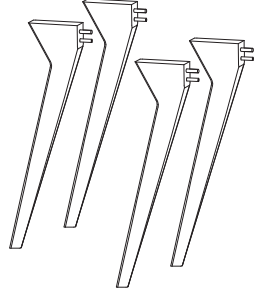
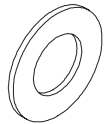
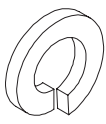
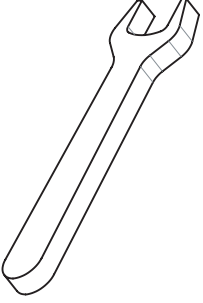
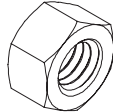
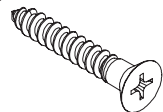
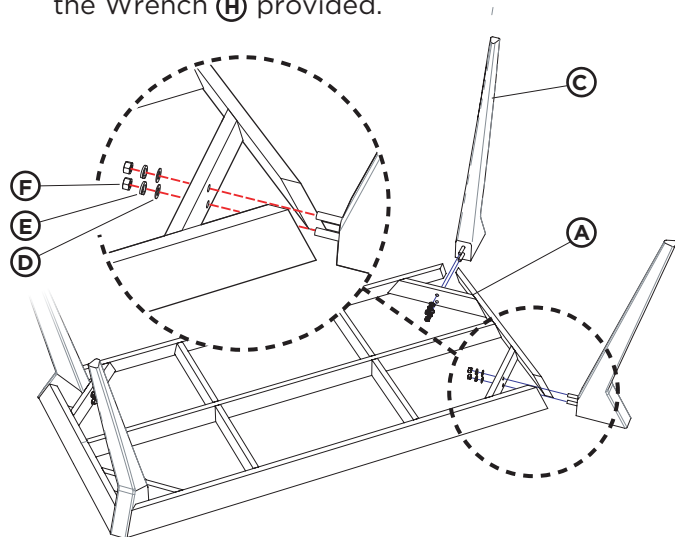


ASSEMBLY INSTRUCTIONS FOR REED DINING TABLE <REE-375>

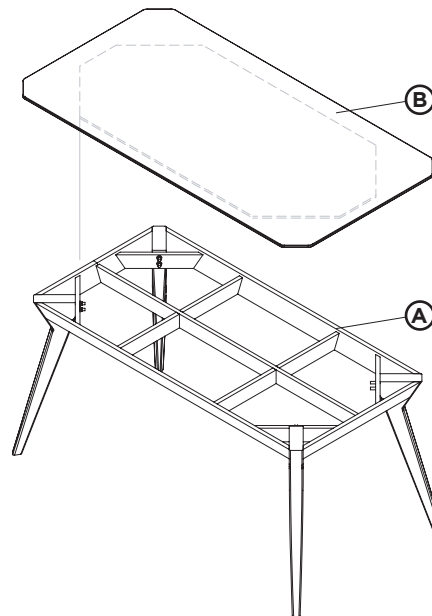
WHAT'S INCLUDED

 <p>TABLE FRAME</p>	 <p>TABLE TOP</p>	 <p>LEGS 4 PCS</p>	 <p>WASHERS 8 PCS</p>	 <p>LOCKWASHERS 8 PCS</p>	 <p>WRENCH</p>
			 <p>NUTS 8 PCS</p>	 <p>SCREWS 16 PCS</p>	

1 Place the Frame **(A)** upside down as shown and attach each of the four Legs **(C)** in turn as shown. Push the bolts through holes in the frame and thread on a Washer **(D)**, Lockwasher **(E)**, and Nut **(F)** and tighten down using the Wrench **(H)** provided.



2 Carefully lift and rotate the table assembly rightside up. Place the Top **(B)** on top of the Frame **(A)**.



3 From beneath, secure the Table Top **(B)** to the Frame **(A)** using the Screws **(G)** provided as shown. Assembly is now complete.

