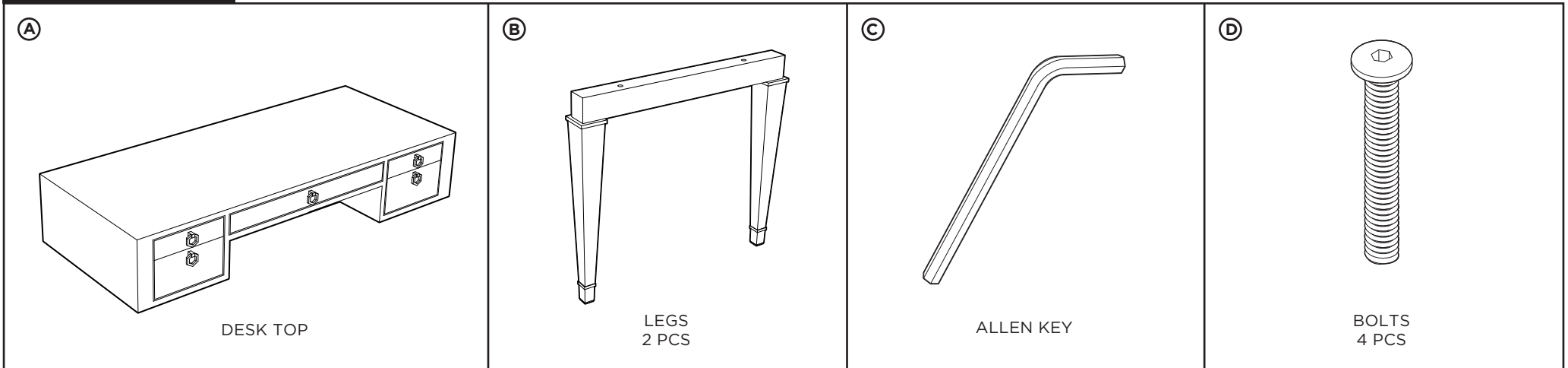
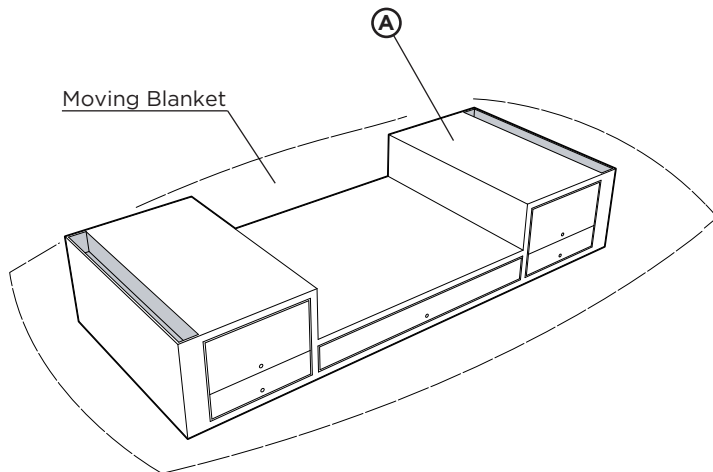


ASSEMBLY INSTRUCTIONS FOR MORRIS DESK <MRS-350>

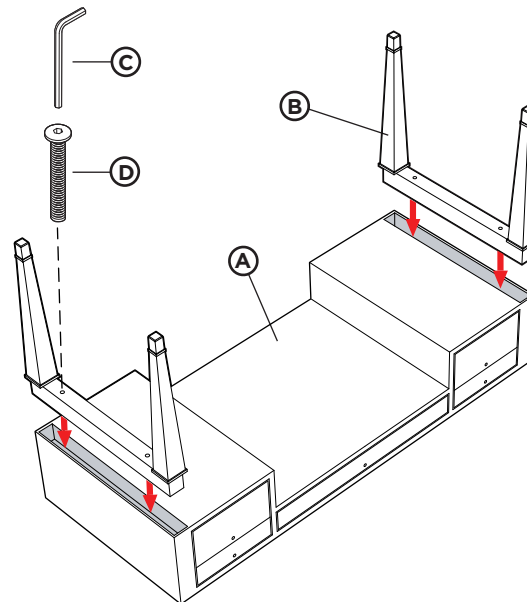
WHAT'S INCLUDED



1 Unpack all parts and hardware from the box. Carefully lay desk top (A) upside down on a flat, soft surface such as a moving blanket.



2 Slide legs (B) into the desk top as shown. Using the Allen Key (C), fasten the legs to the desk top with the bolts (D).



3 After checking that all hardware is tightly fastened, carefully lift desk and turn right side up. Remove and reverse all drawer pulls, taking care not to damage drawer faces.

