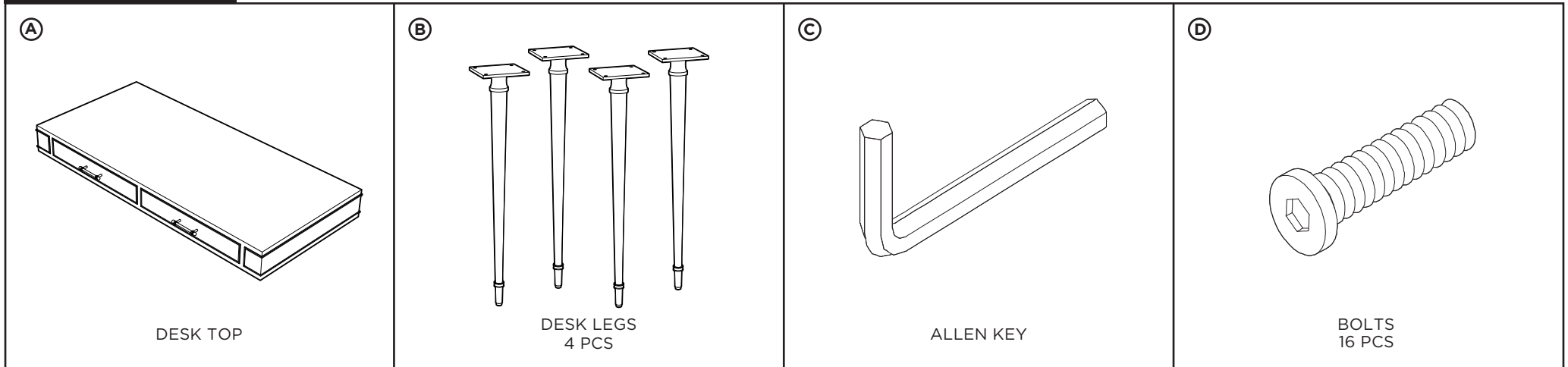


ASSEMBLY INSTRUCTIONS FOR JOLENE DESK <JOL-350>

WHAT'S INCLUDED



1 Place the Desk Top **A** upside down on a soft flat surface, such as a moving blanket.

2 Place each Leg **B** onto the Top **A**. Carefully line up the holes and fasten each leg to the Top using the Bolts **D** with the Allen Key **C** as shown. Be careful not to overtighten bolts.

3 Carefully lift and set the desk right side up. Assembly is now complete.

