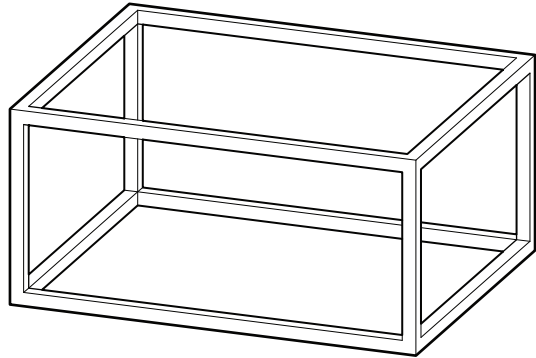


# ASSEMBLY INSTRUCTIONS FOR CUBIC 2-DRAWER SIDE TABLE <CBC-120>

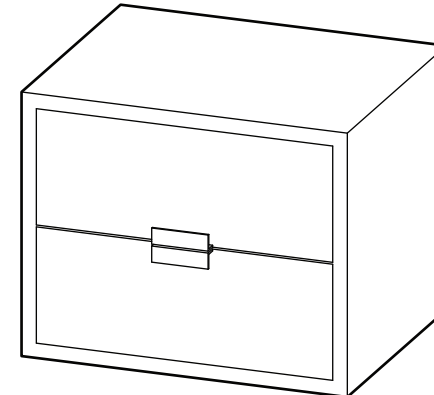
## WHAT'S INCLUDED

Ⓐ



BASE

Ⓑ



DRAWER BOX

- 1 Unpack all components carefully. Place base Ⓐ bottom-down on soft flat surface such as a moving blanket.

- 2 Note the square recess in the bottom of drawer box Ⓑ. Carefully place the drawers on top of the base so that the base fits into the recess.

- 3 Assembly is complete. To clean use a soft dry cloth. Do not use chemicals or abrasives.

