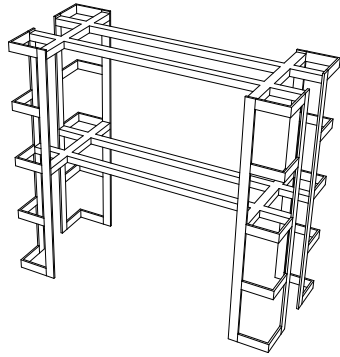


ASSEMBLY INSTRUCTIONS FOR PLANO CONSOLE <PLN-400>

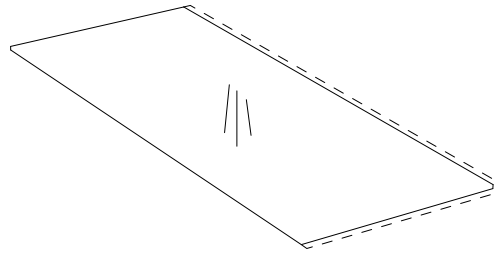
WHAT'S INCLUDED

(A)



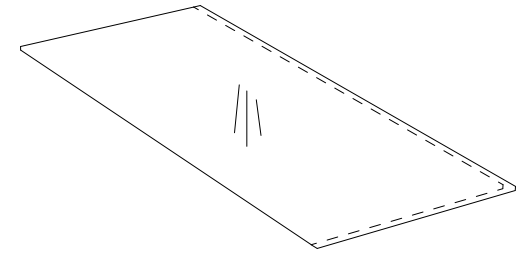
CONSOLE FRAME

(B)



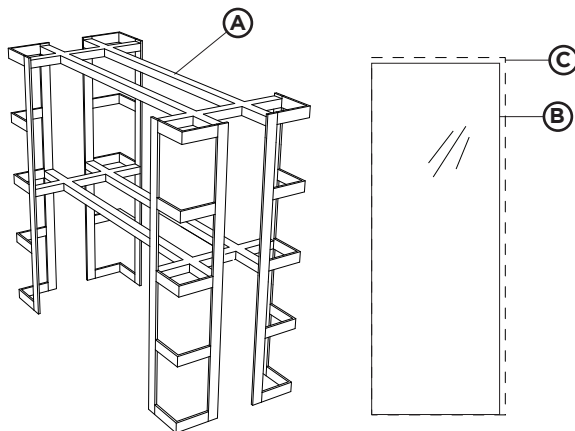
LOWER GLASS SHELF
(SMALLER)

(C)

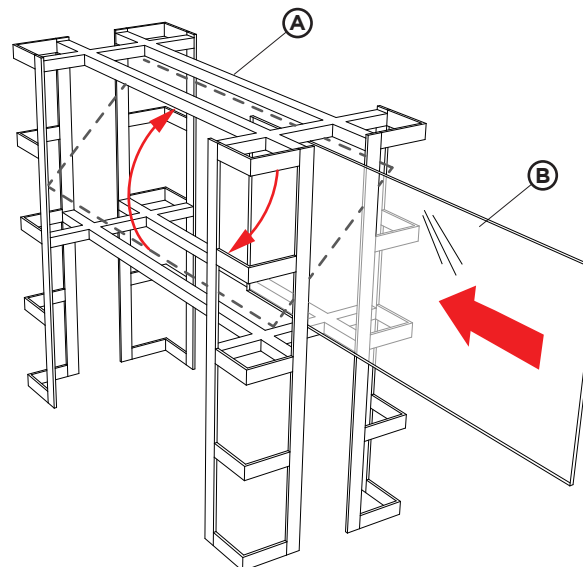


TOP GLASS SHELF
(LARGER)

- 1** Set the console frame (A) upright in an area free from obstacles. Identify the shelves: the lower shelf (B) is slightly smaller than the top shelf (C). Take care not to crack or scratch the glass before or during assembly.



- 2** Slide the smaller shelf (B) into the opening on the side of the frame (A) as shown. Once inside, rotate the glass and carefully set in place.



- 3** Carefully lower the larger sheet of glass (C) into place on the top of the frame. Assembly is now complete.

