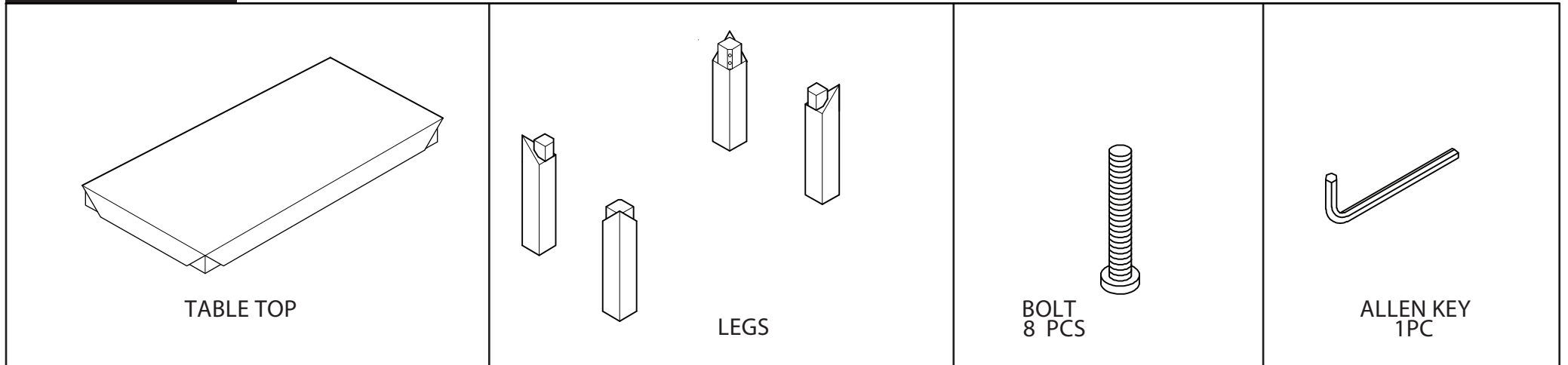


ASSEMBLY INSTRUCTIONS FOR PARSONS COFFEE TABLE (PSN-300)

WHAT'S INCLUDED



- 1** - Unpack all parts carefully
- Turn table top upside down gently on to a soft surface.
 - Line up the legs to the corresponding holes on the angled blocks at the inside apron corners underneath, as shown.
 - Using 2 bolts each, attach each leg, tightening bolts with supplied allen key.

- 2** - Repeat , attaching all four legs securely.
- Lift, and turn table onto its feet, being careful not to tilt or lean table on its edges.

