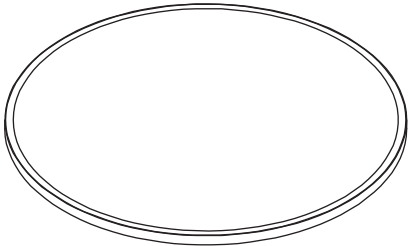
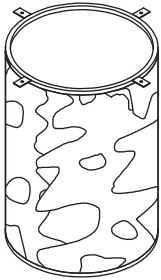
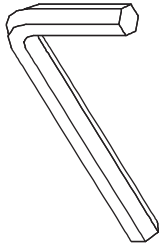
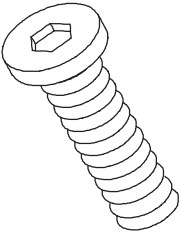
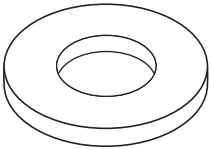


ASSEMBLY INSTRUCTIONS FOR MATISSE CENTER TABLE <MAT-375>

WHAT'S INCLUDED

<p>A</p>  <p>TABLE TOP</p>	<p>B</p>  <p>BASE</p>	<p>C</p>  <p>ALLEN KEY</p>	<p>D</p>  <p>BOLTS 4 PCS</p>	<p>E</p>  <p>WASHERS 4 PCS</p>
--	---	--	--	--

1 Remove table top **A** and Base **B** from the packaging. Lower the table top on to the base, making sure to align the mounting holes on the base with those on the top.

2 Using the Allen Key **C** fasten the Base **B** to the Top **A** with the bolts **D** and washers **E** as shown.

3 Assembly is now complete. Wipe down surfaces with a cloth to remove any dust or residue from the shipping and handling process.

