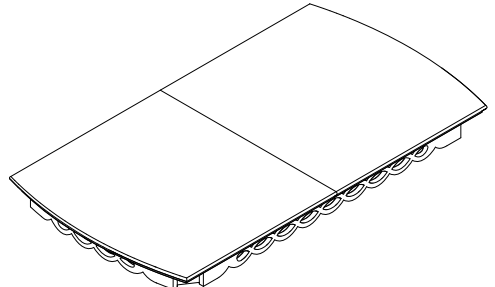

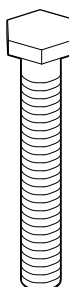

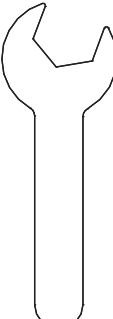


ASSEMBLY INSTRUCTIONS FOR LOOP DINING TABLE <LOO-375>

WHAT'S INCLUDED

<p>A</p>  <p>TABLE TOP</p>	<p>B</p>  <p>LEGS 4 PCS</p>	<p>C</p>  <p>BOLTS 8 PCS</p>	<p>D</p>  <p>WASHERS 8 PCS</p>	<p>E</p>  <p>WRENCH</p>
--	---	--	--	---

1 Remove table top **A** from the box and carefully lay face down on a flat, soft surface or moving blanket.

2 Put each leg **B** into place so that the bolt holes face inward. Slide bolt **C** through washer **D** and through the table top to connect legs. Using the wrench **E** tighten the bolts until all legs are securely fastened. Carefully lift the table and turn rightside up.

3 To extend table, first slide both sides out as far as possible. Remove the leaf from inside and place it across the table's side rails. Align the pins and holes on the sides of the leaf with those on the inner edges of the table and push the ends of the table back together.

