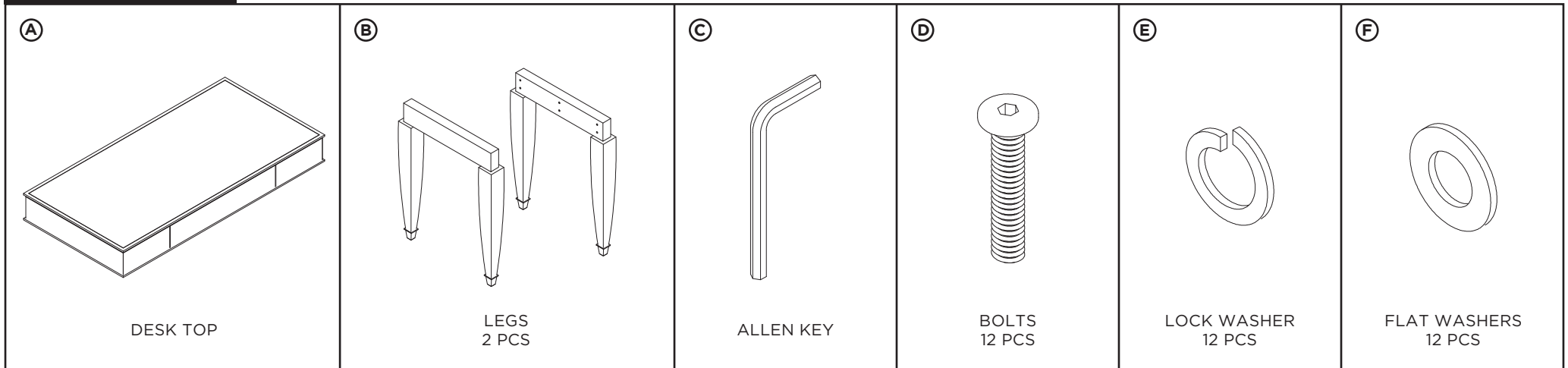
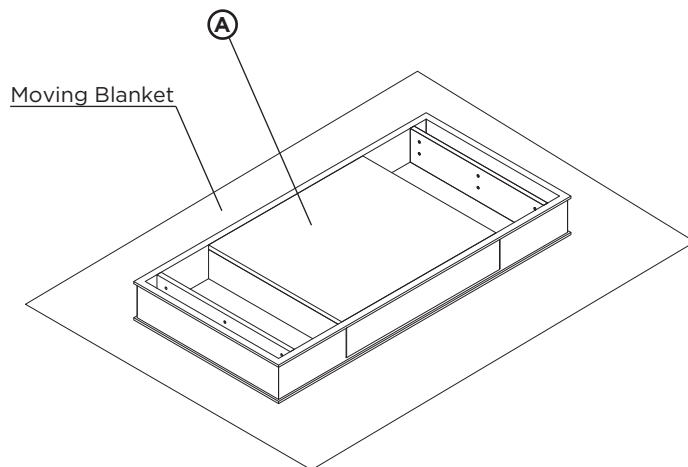


ASSEMBLY INSTRUCTIONS FOR CHRISTINE DESK <CRS-350>

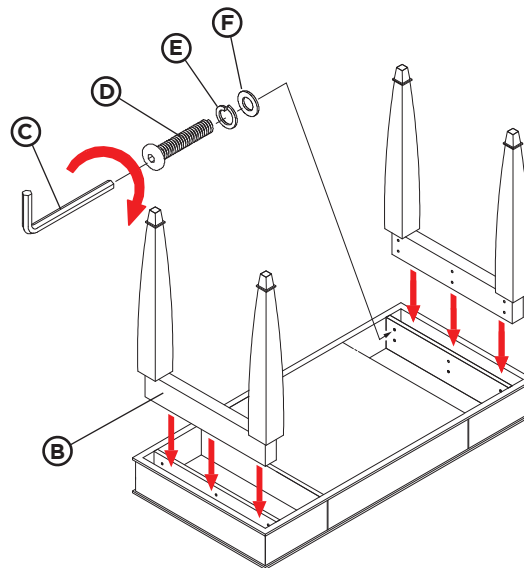
WHAT'S INCLUDED



1 Unpack all parts and hardware from the box. Carefully lay desk top **A** upside down on a flat, soft surface such as a moving blanket.



2 Slide legs **B** into the desk as shown. Using the Allen Key **C**, fasten the legs to the desk top with the bolts **D**, lock washers **E** and flat washers **F** in the order shown.



3 After checking that all hardware is tightly fastened, carefully lift desk and turn right side up. Remove and reverse the drawer pull, taking care not to damage the drawer face.

