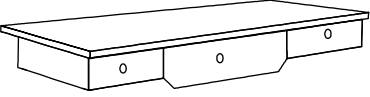
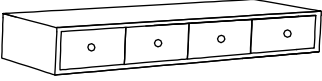
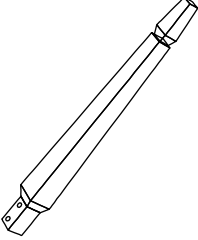
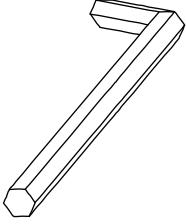
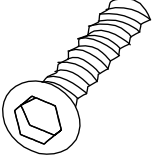
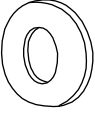
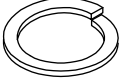
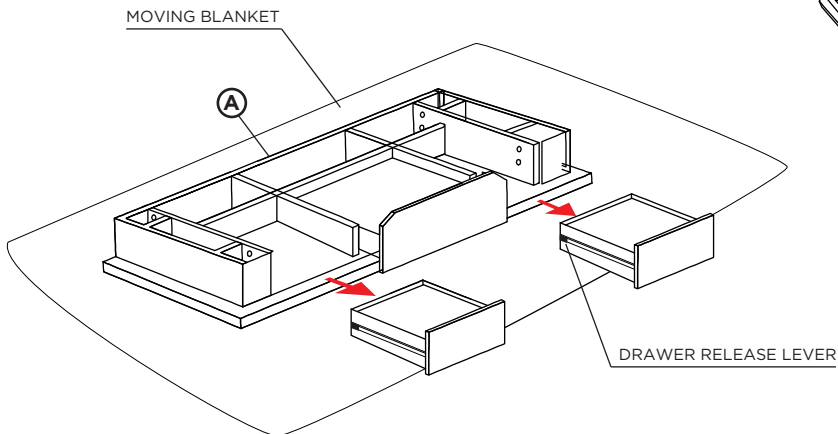


ASSEMBLY INSTRUCTIONS FOR CHELSEA VANITY <CHE-350>

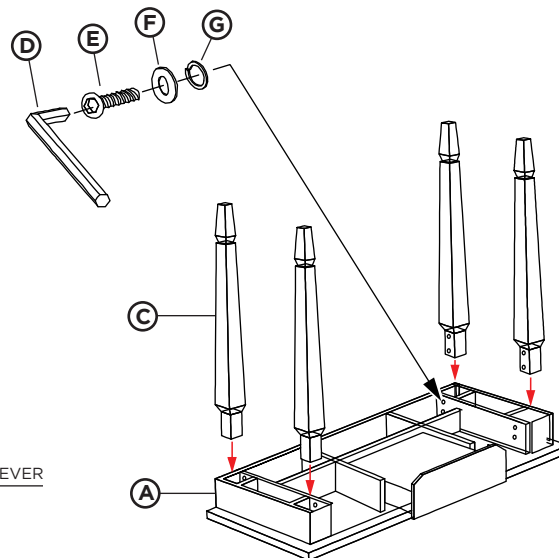
WHAT'S INCLUDED

<p>(A)</p>  <p>TABLE TOP</p>	<p>(B)</p>  <p>TOP BOX</p>	<p>(C)</p>  <p>LEGS 4PCS</p>	<p>(D)</p>  <p>ALLEN KEY 1PC</p>	<p>(E)</p>  <p>#8-40 BOLT 8PCS</p>	<p>(F)</p>  <p>FLAT WASHER 8PCS</p>	<p>(G)</p>  <p>SPRING WASHER 8PCS</p>
----------------------------------------------------------------------------------------------------------------------	--------------------------------------------------------------------------------------------------------------------	---------------------------------------------------------------------------------------------------------------------------	--------------------------------------------------------------------------------------------------------------------------------	----------------------------------------------------------------------------------------------------------------------------------	-----------------------------------------------------------------------------------------------------------------------------------	-------------------------------------------------------------------------------------------------------------------------------------

- 1** Remove table top **(A)** from the box and carefully lay upside down on a flat, soft surface. Remove the side drawers from the table by first pulling a drawer all the way out. Next locate the levers at the back of the glides. While pushing up on one lever and down on the other, carefully remove the drawer.



- 2** Remove legs **(C)** from the box. Insert each leg into its appropriate, marked hole on the underside of the desk. Fasten legs snugly to top with bolts and washers provided.



- 3** Carefully turn the table right-side up. Place the top box **(B)** on top of the table. Put side drawers back in. Remove the reversed handles from the drawers and install them right side out, taking care not to damage the drawer faces.

