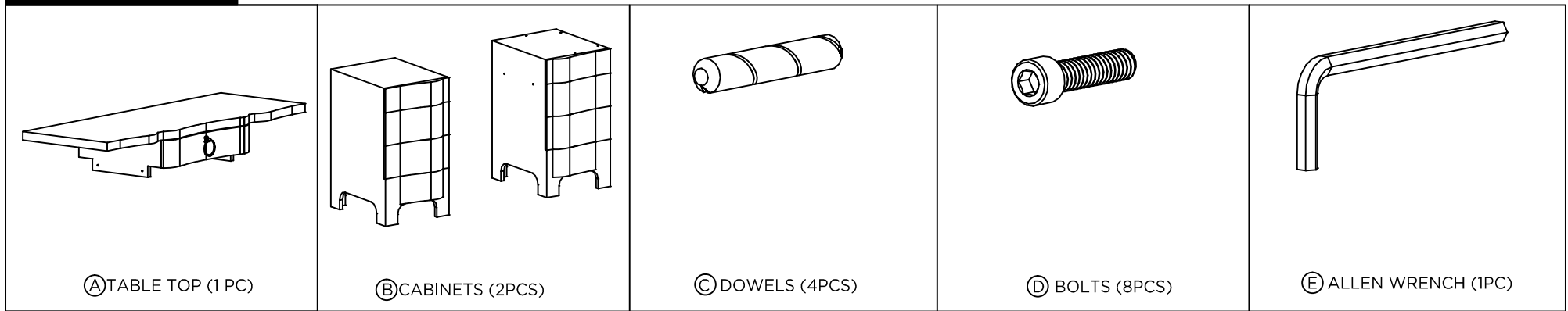


ASSEMBLY INSTRUCTIONS FOR BOUQUET DESK (BOU-350)

WHAT'S INCLUDED



- 1** - Unpack all parts and hardware carefully.
- Place cabinets (B) on floor.
 - Remove top drawers from cabinets to access bolt holes.
 - To remove drawer pull out to expose drawer levers on both sides of drawer.
 - At the same time depress levers, one will move up one will move down.
 - Pull drawer out.

- 2** - Place dowels (C) in cabinets.
- Place table top (A) onto cabinets aligning with dowels.
 - Thread 2 bolts (D) up through each cabinet into the top and tighten with allen wrench (E).
 - Thread remaining 4 bolts (D) from inside of the desk apron into the cabinets and tighten with allen wrench (E).

- 3** - Reinstall drawers.

