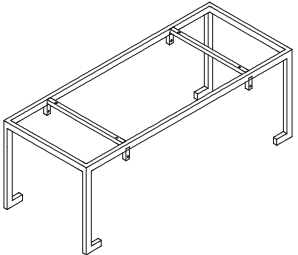
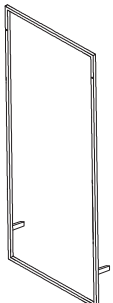
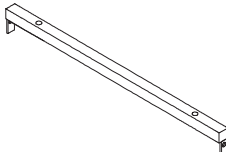
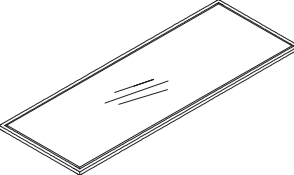

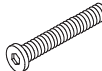
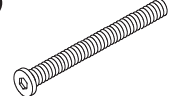
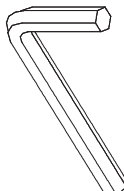
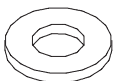
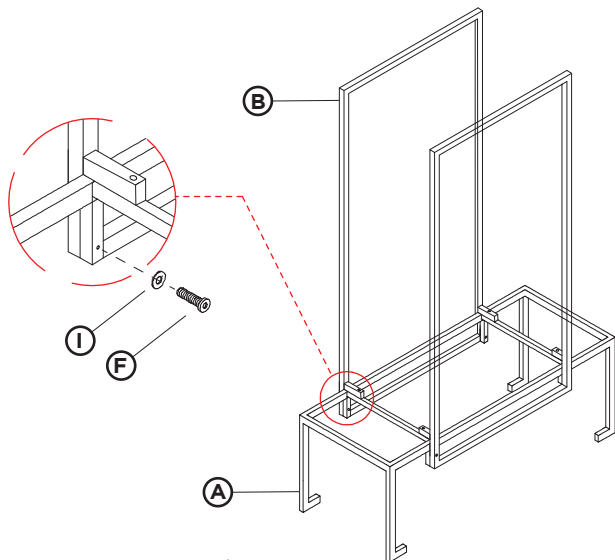


ASSEMBLY INSTRUCTIONS FOR ANTON ÉTAGÈRE <ANT-475>

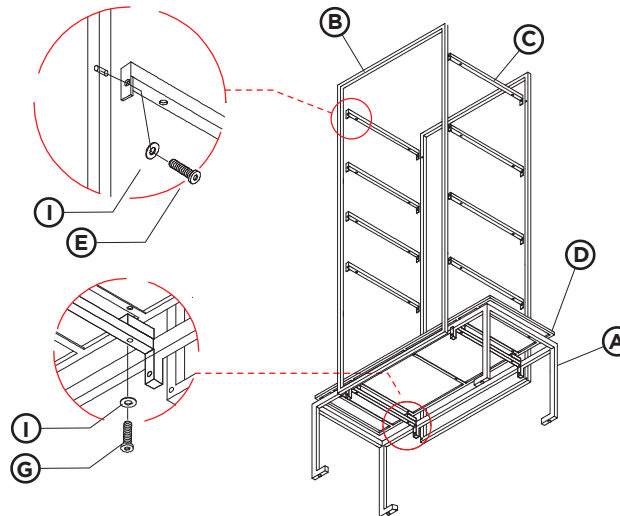
WHAT'S INCLUDED

<p>A</p>  <p>METAL BASE</p>	<p>B</p>  <p>METAL SUPPORT 2 PCS</p>	<p>C</p>  <p>METAL RAIL 8 PCS</p>	<p>D</p>  <p>METAL SHELF 5 PCS</p>	<p>E</p>  <p>6X10MM BOLTS 16 PCS</p> <p>F</p>  <p>6X30MM BOLTS 20 PCS</p> <p>G</p>  <p>6X50MM BOLTS 4 PCS</p>	<p>H</p>  <p>ALLEN KEY</p>	<p>I</p>  <p>WASHER 40 PCS</p>
---	--	--	--	---	--	--

- 1** Fasten the Supports **B** to the Metal Base **A** with medium length bolts **F** and washers **I**. Tighten by hand first, not tightening fully until the last step.



- 2** Again, not tightening fully until the last step, use the shorter bolts **E** to attach the eight metal rails **C** to the metal supports **B**. Attach the lowest shelf **D** to the base **A** with the longest bolts **G**.



- 3** Place the remaining shelves **D** on top of metal rails **C**. If necessary, slightly loosen bolts for the surrounding rails **C** to make placing shelves **D** easier. Fasten shelves from below using the medium length bolts **F**.

Finally, make sure ALL BOLTS are fully tightened using the Allen Key **H.**

