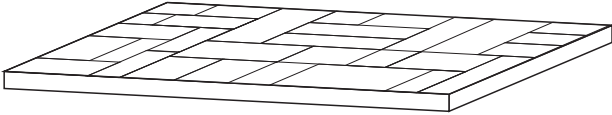
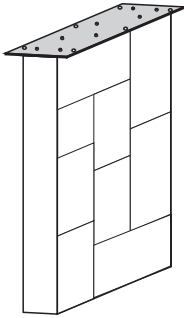
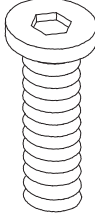
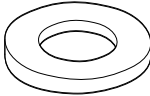
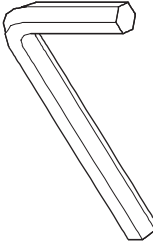
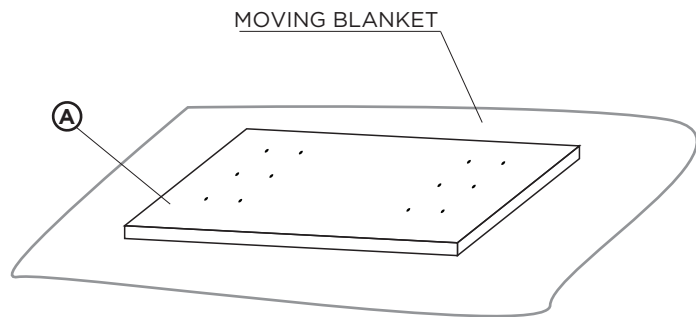


ASSEMBLY INSTRUCTIONS FOR ALISA DINING TABLE <ALS-375>

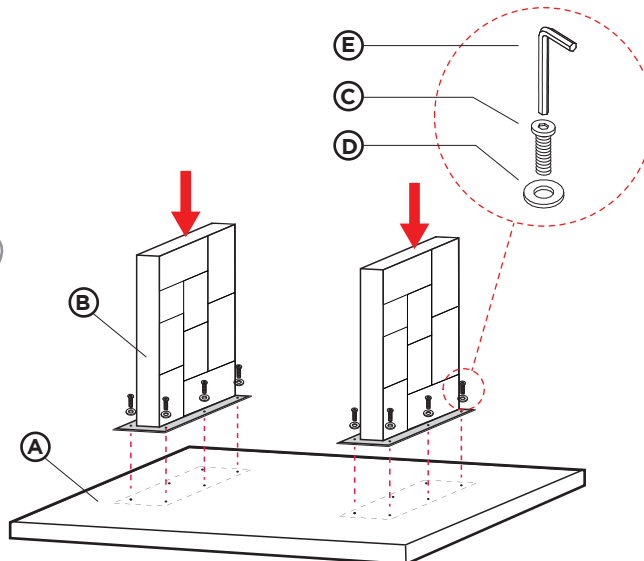
WHAT'S INCLUDED

<p>(A)</p>  <p>TABLE TOP</p>	<p>(B)</p>  <p>LEGS 2 PCS</p>	<p>(C)</p>  <p>BOLTS 12 PCS</p>	<p>(D)</p>  <p>WASHERS 12 PCS</p>	<p>(E)</p>  <p>ALLEN WRENCH</p>
--	--	---	---	---

1 Remove table top **(A)** from packaging. Carefully lay table top face down on a flat, soft surface or moving blanket.



2 Lower the legs **(B)** onto the table top **(A)**. Align the bolt holes and, using the allen wrench **(E)**, attach the legs to the table top with bolts **(C)** and washers **(D)** as shown



3 Carefully lift the table and turn rightside up.

